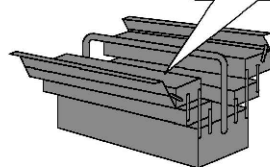
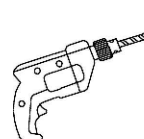
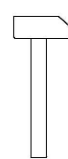
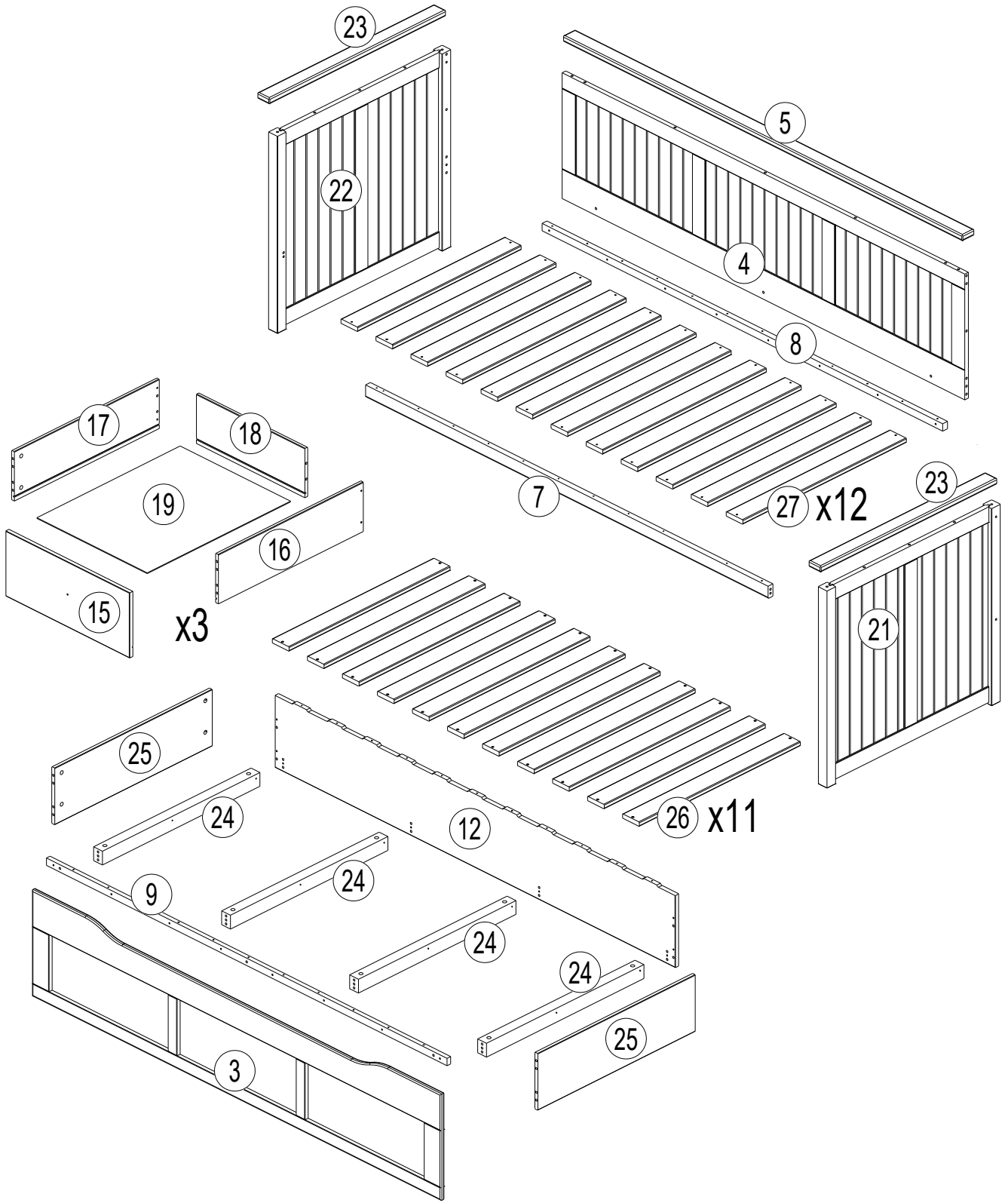
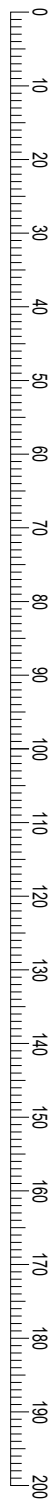
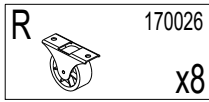
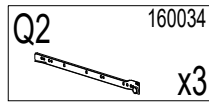
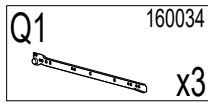
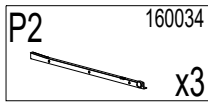
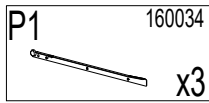
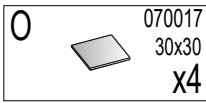
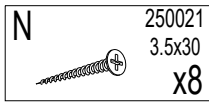
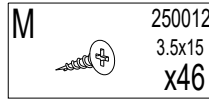
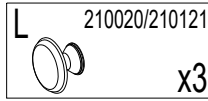
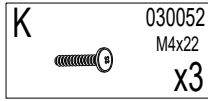
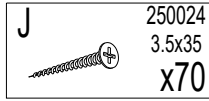
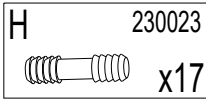
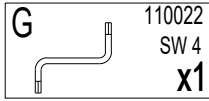
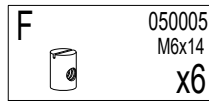
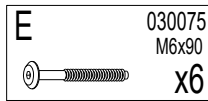
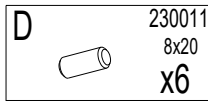
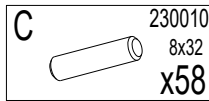
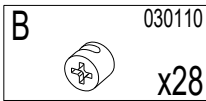
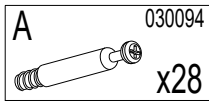


- | | |
|---------------------------------------|-----------------------------------|
| D Montageanleitung | GB Assembly instructions |
| FR Notice de montage | IT Istruzioni di montaggio |
| NL Handleiding voor de montage | PL Instrukcja montażu |
| CZ Montážní návod | SK Návod na montáž |
| HU Szerelési útmutató | RO Instrucțiuni de montaj |
| TR Montaj talimatı | RU Инструкция по монтажу |

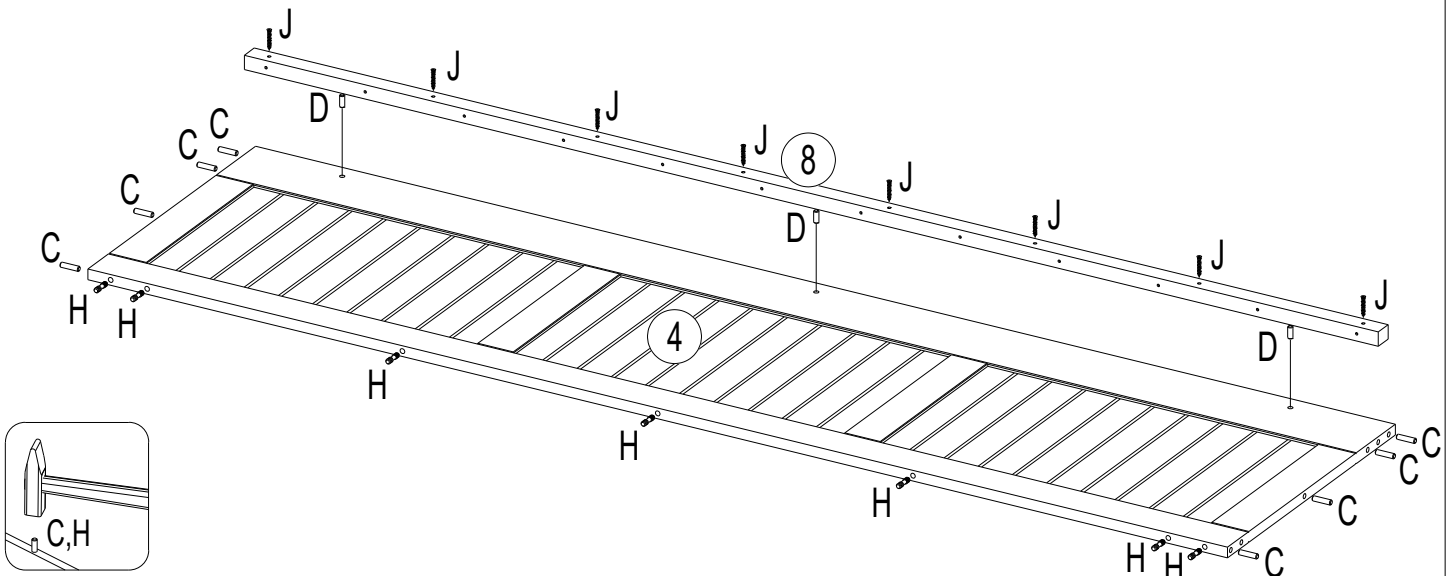
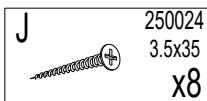
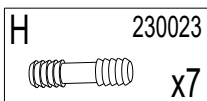
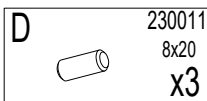
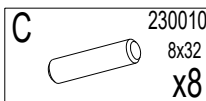


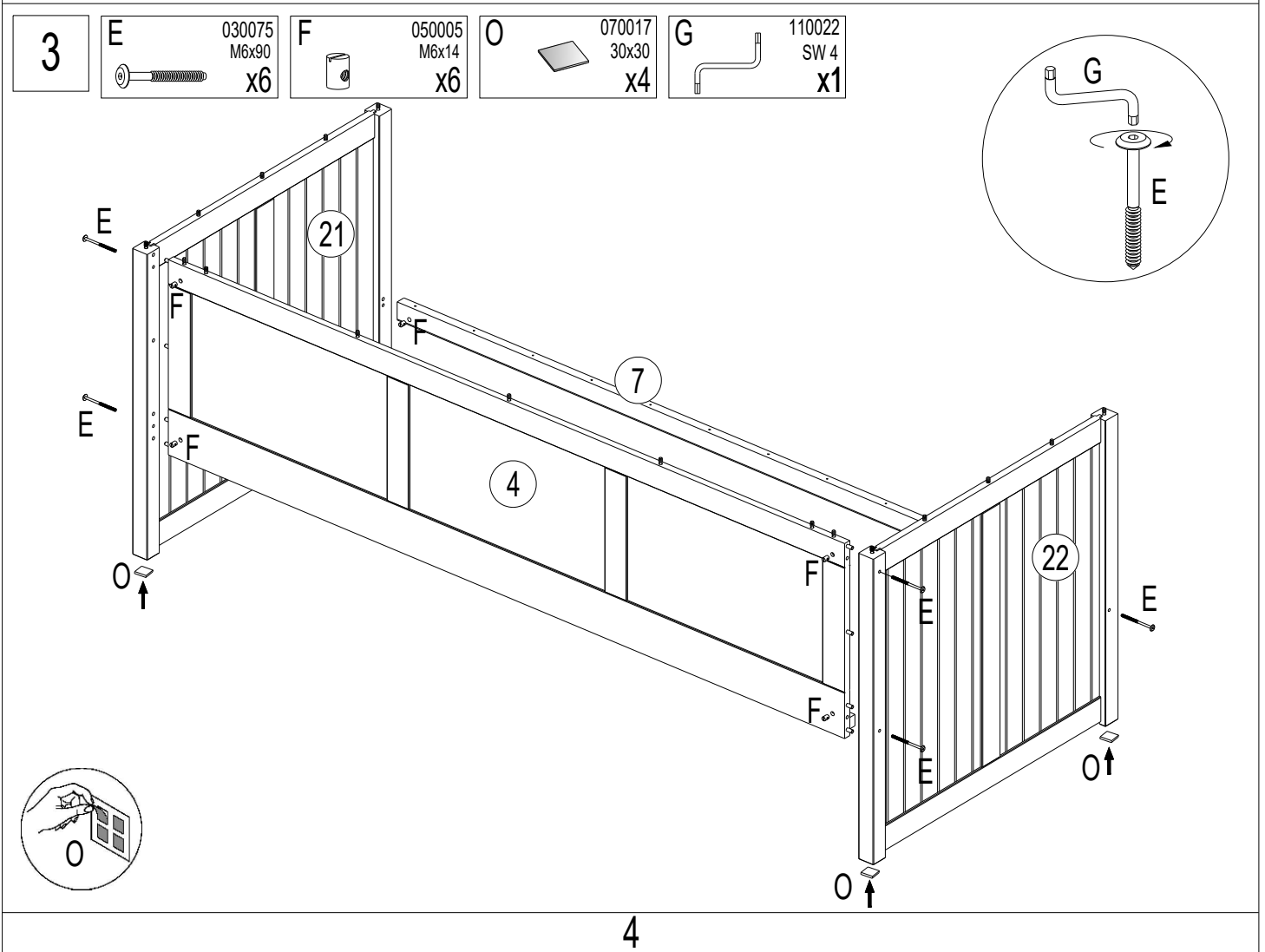
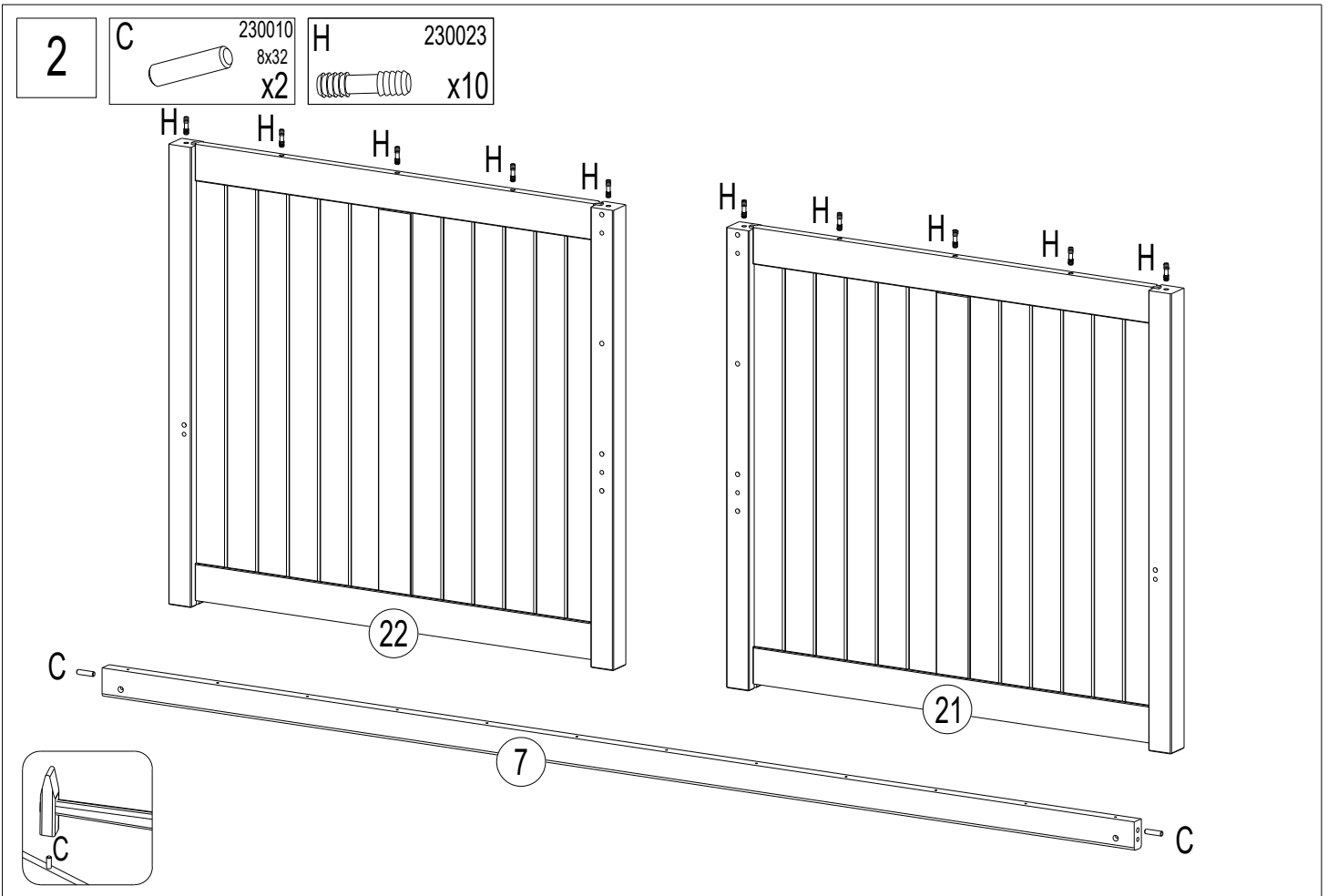
EAC





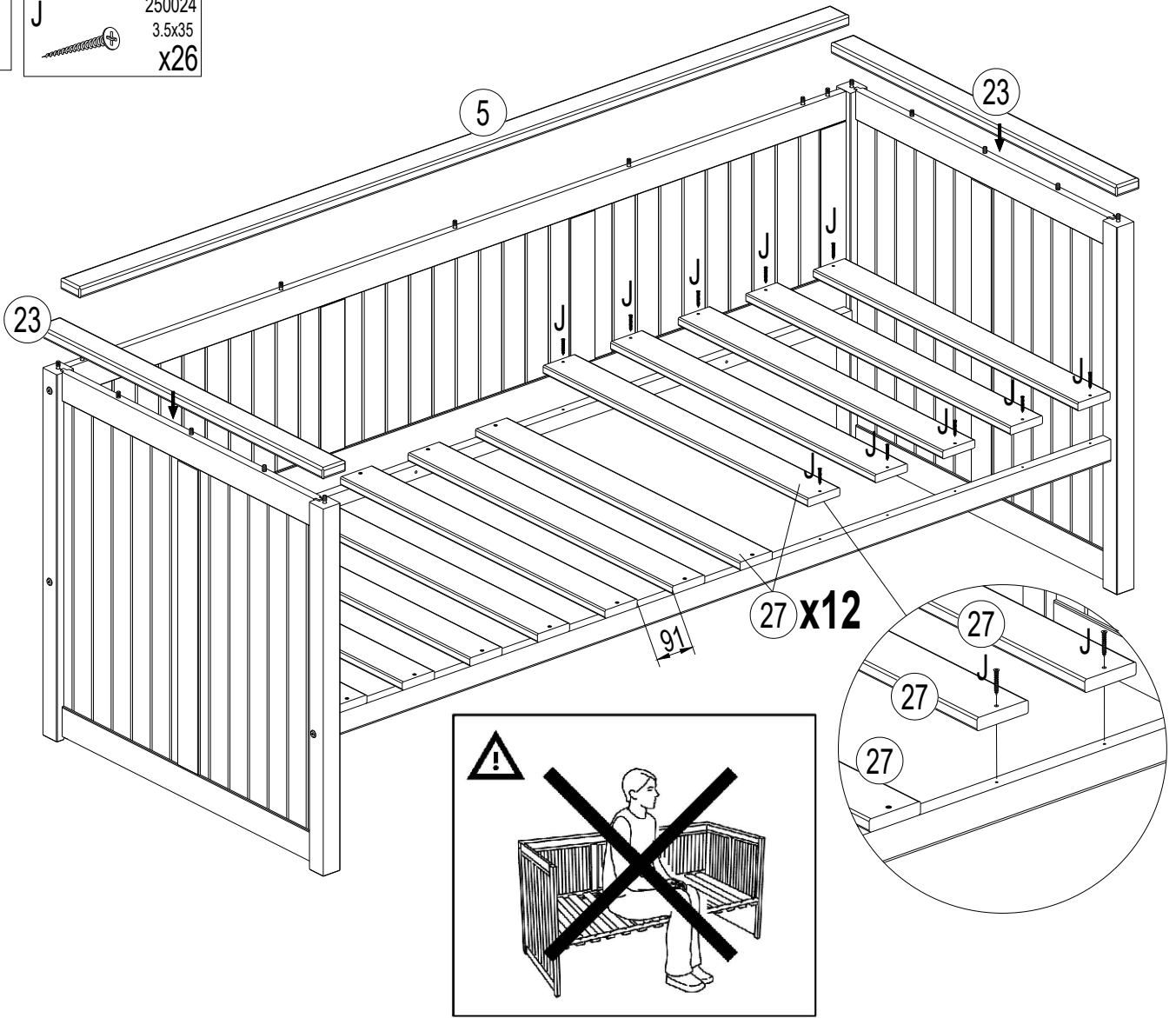
Nº	Size/MaB (mm)	Qty	✓	Nº	Size/MaB (mm)	Qty	✓
21	803x872x44	1		25	792x230x15	2	
22	803x872x44	1		12	1989x297x18	1	
3	2032x431x18	1		26	810x83x18	12	
4	2000x510x18	1		27	822x83x18	13	
5	1984x60x24	1		15	616x264x18	1	
23	888x60x24	2		16	720x200x14	3	
7	2000x50x24	1		17	720x200x14	3	
8	1990x30x24	1		18	539x200x14	3	
9	1990x30x18	1		19	712x548x3	3	
24	792x56x44	4		20			





4

J 250024
3.5x35
x26



5

A 030094
x16

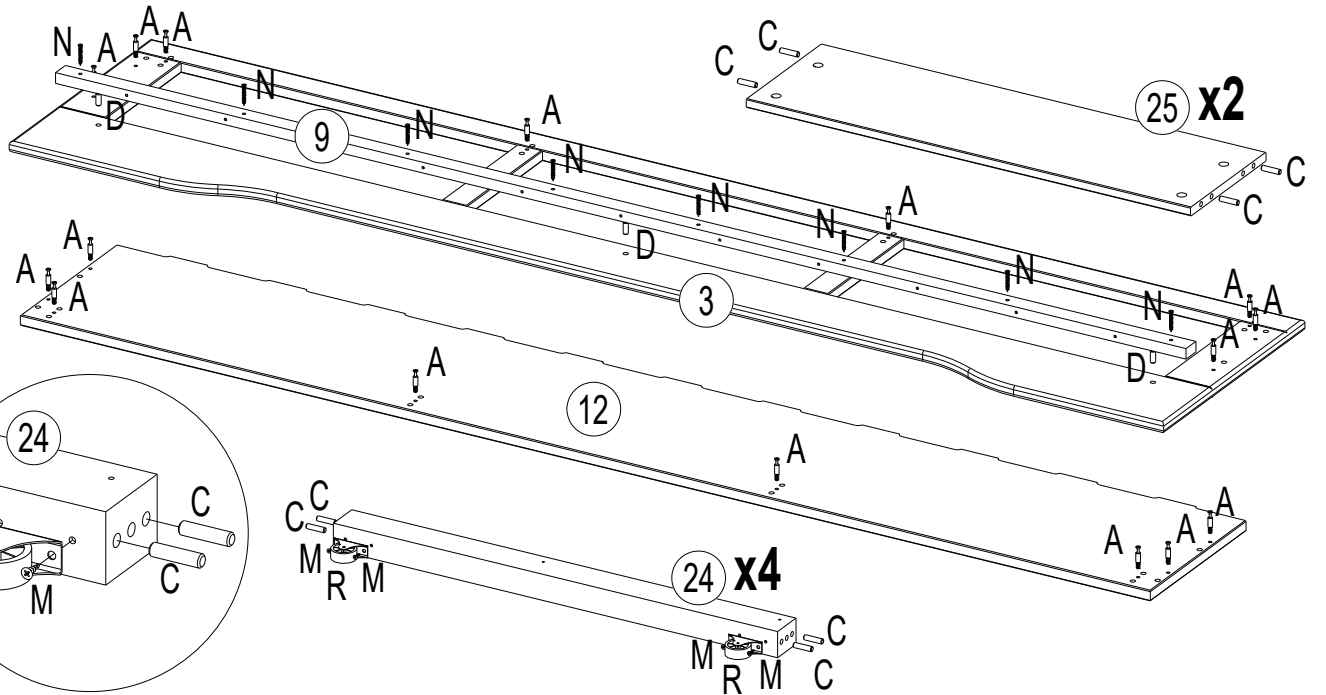
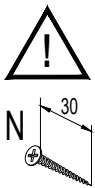
C 230010
8x32
x24

D 230011
8x20
x3

M 250012
3.5x15
x16

N 250021
3.5x30
x8

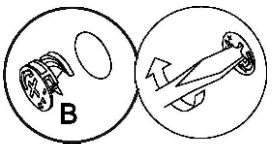
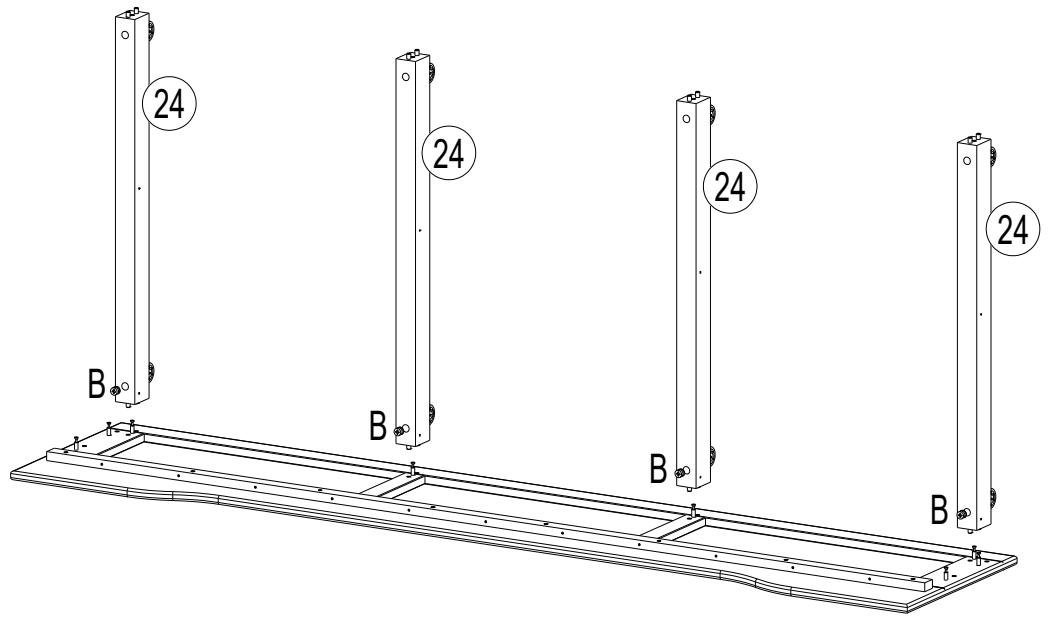
R 170026
x8



5

6

B 030110 x4



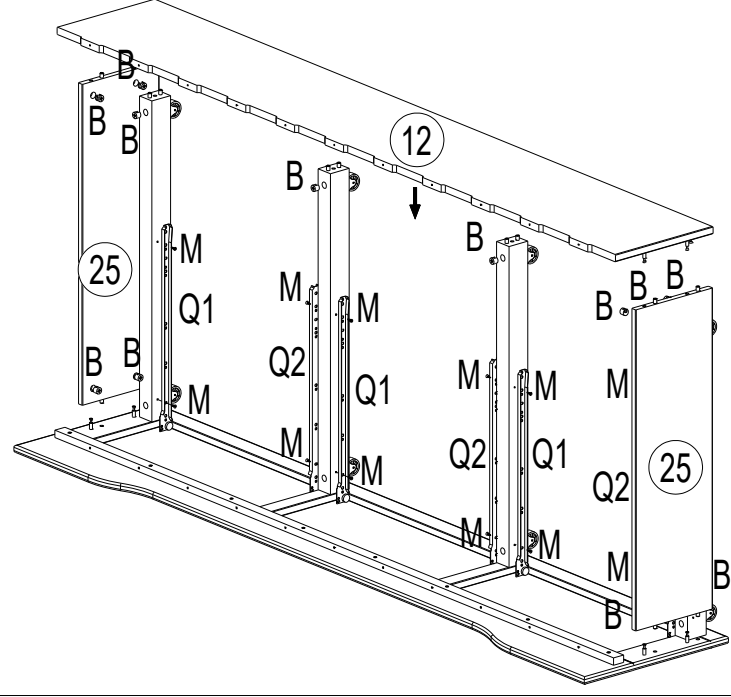
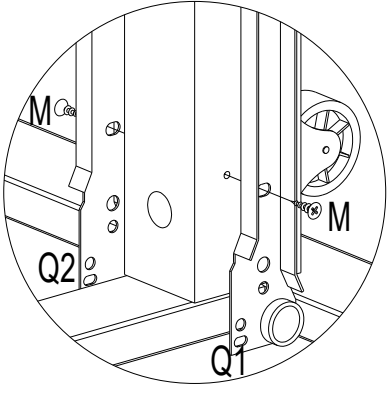
7

B 030110 x12

M 250012 3.5x15 x12

Q1 160034 x3

Q2 160034 x3



8

A 030094 x12

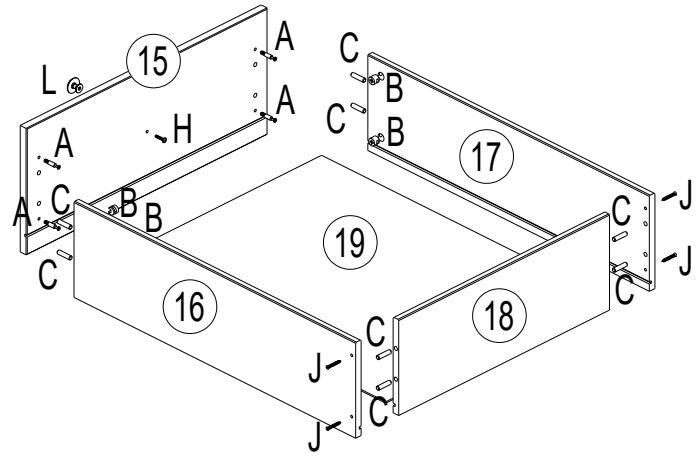
B 030110 x12

C 230010 8x32 x24

J 250024 3.5x35 x12

H 030052 M4x22 x3

L 210020/210121 x3



x3

6

9

M



250012
3.5x15
x12

P1

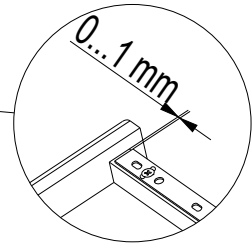
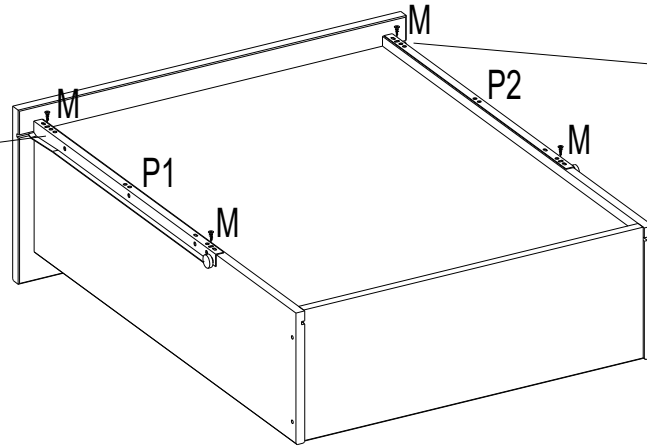
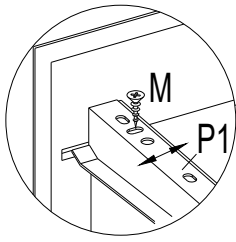


160027
x3

P2



160027
x3



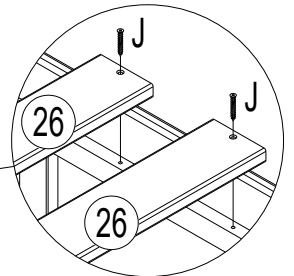
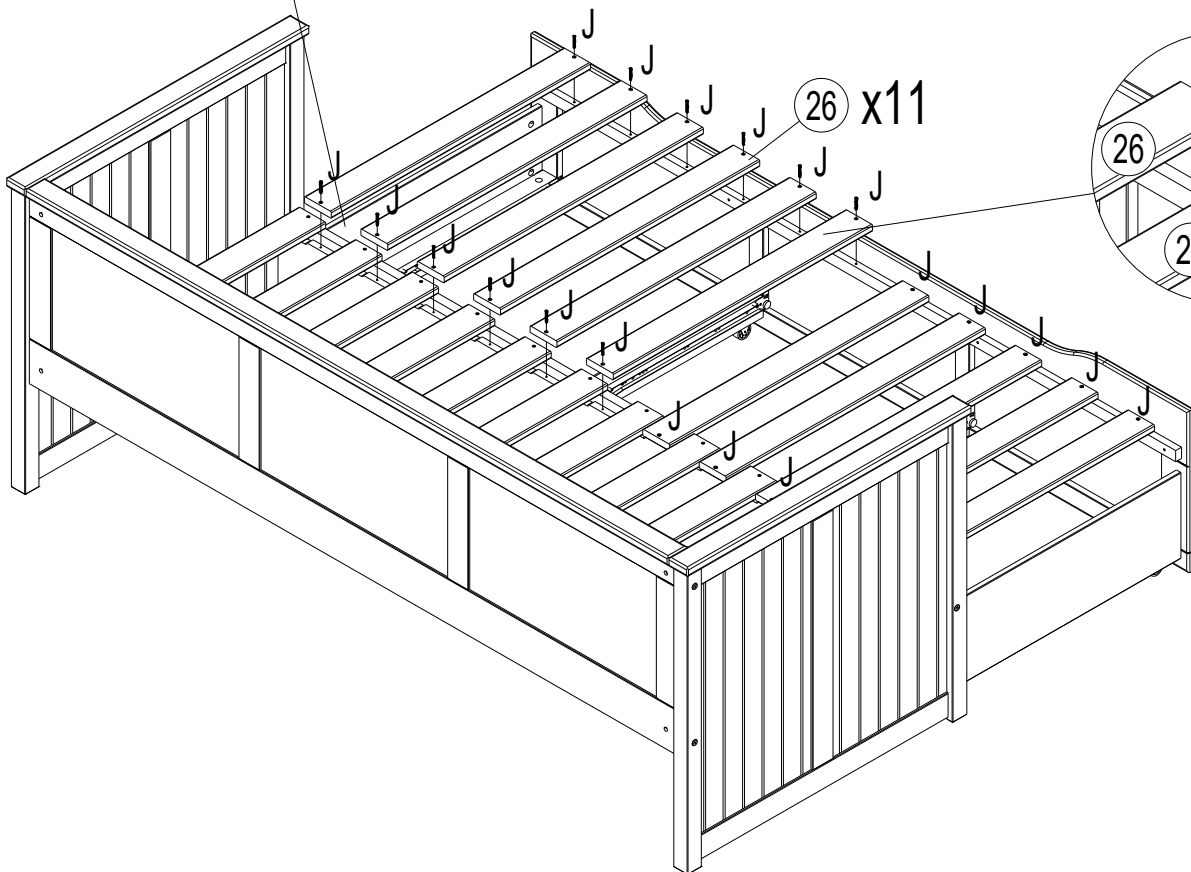
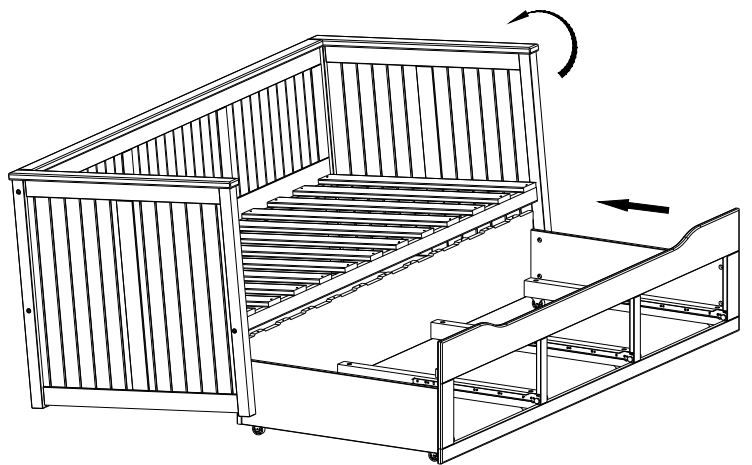
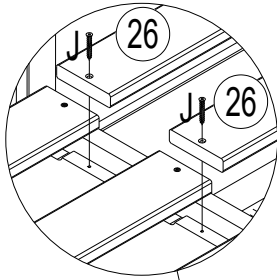
x3

10

J



250024
3.5x35
x24



11

M



250012
3.5x15
x6

